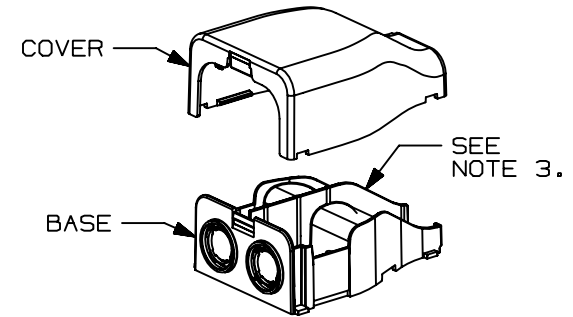
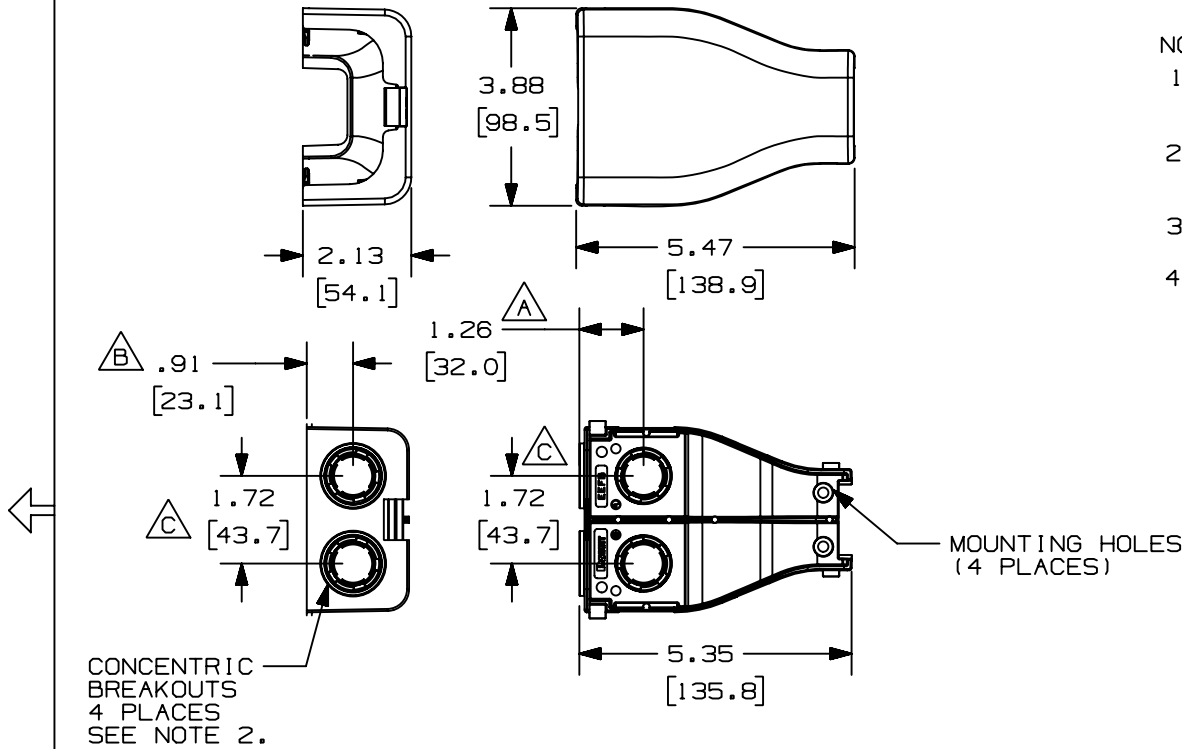


THIS COPY IS PROVIDED ON A RESTRICTED BASIS AND IS NOT TO BE USED IN ANY WAY DETRIMENTAL TO THE INTERESTS OF PANDUIT CORP.

PANDUIT P/N	WEIGHT
EEFX	3.9 LB/10 PCS (1765 g/10 PCS)

NOTES:

1. SEE CURRENT CATALOG FOR ADDITIONAL PART SUFFIXES TO INDICATE COLOR AND OR PACKAGE QUANTITY.
2. CONCENTRIC BREAKOUTS TO ACCOMMODATE CONDUIT SIZES OF 1/2" AND 3/4" DIAMETERS.
3. DIVIDER WALL FOR MAINTAINING POWER AND DATA ENTRY SEPARATION.
4. DIMENSIONS IN PARENTHESES ARE IN METRIC.



CAD FILENAME/LAYERS D36626B1_DC_EEFX_LD2P10_01

PANDUIT CORP. TINLEY PARK, ILLINOIS
LD2P10 ENTRANCE END FITTING (EEFX)
CUSTOMER DRAWING

UNLESS OTHERWISE SPECIFIED, DIMENSIONAL TOLERANCES ARE:
(.X) ± (.XXX) ±
(.XX) ±.03(.8) ANGLES ±

UNLESS OTHERWISE SPECIFIED, ALL DIMENSIONS ARE GIVEN IN INCHES, THIRD ANGLE PROJECTION.

REV	DATE	BY	CHK	DESCRIPTION	ECN	CHK	CUST	SUP	DRAWN BY	DATE	CHECKED BY	MAT'L	SCALE	DWG NO.	DWG SIZE
-	-----	----	----	C. ADDED 1.72 DIMENSION	36626-04	---	---		DW	05-06-98	HIW	PVC	NONE	36626-04	A
1	01-26-00	JHNU	HIW	B. ADDED .91 DIMENSION A. ADDED 1.26 DIMENSION	36626-04	HIW	HIW								
R	05-06-98	DW	HIW	RELEASED TO PRODUCTION.	36626-04	HIW	HIW								

